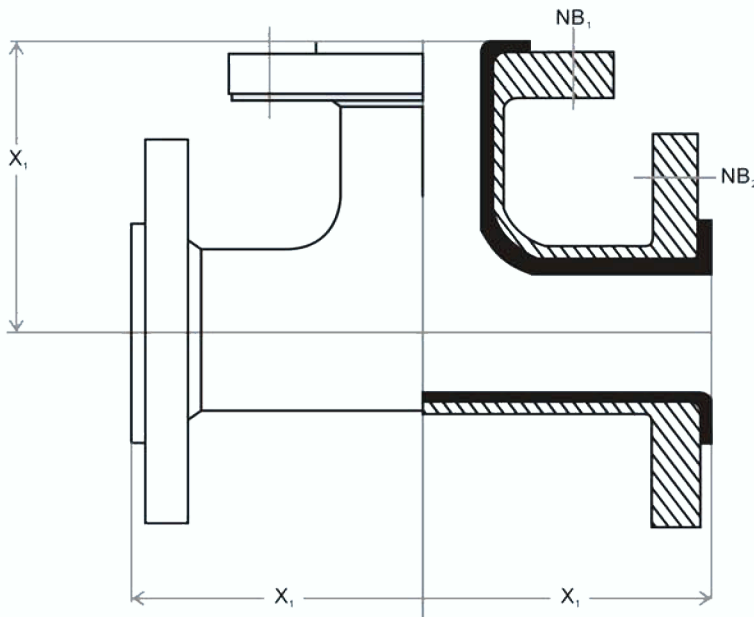


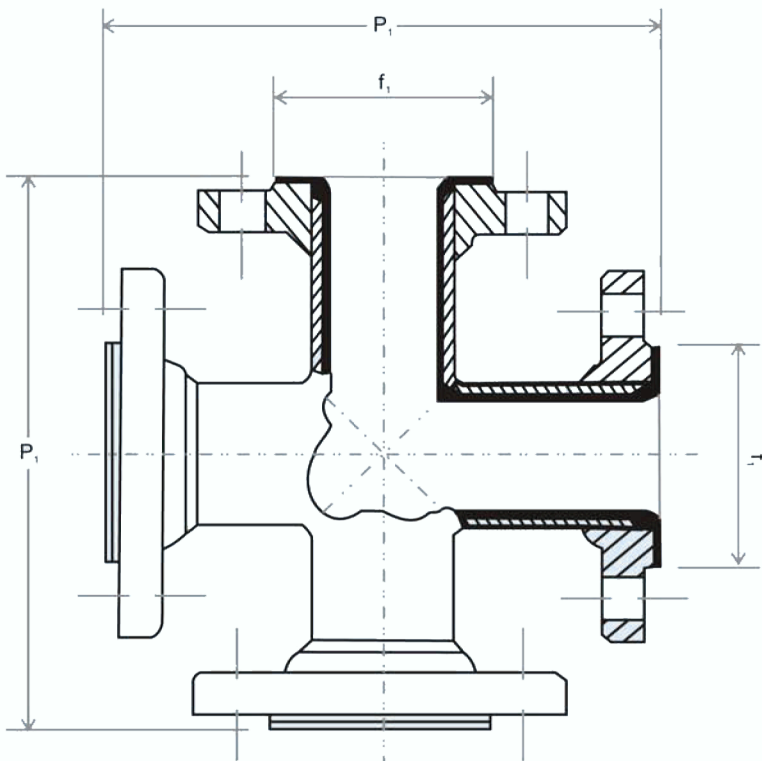
PTFE Lined Pipe Systems

PTFE LINED TEES -EQUAL & UNEQUAL



NB_2 (mm)	NB_1 (mm)	X_1 (mm)
25	25	89
40	25	102
40	40	102
50	25	114
50	40	114
50	50	114
80	40	140
80	50	140
80	80	140
100	50	165
100	80	165
100	100	165
150	80	203
150	100	203
150	150	203
200	200	229
250	250	279
300	300	305

PTFE LINED CROSS



NB (mm)	P_1 (mm)	f_1 (mm)
25	178	50.8
40	204	73
25	228	92.1
80	280	127
100	330	157.2
150	406	215.9
200	458	269.9
250	558	323.9