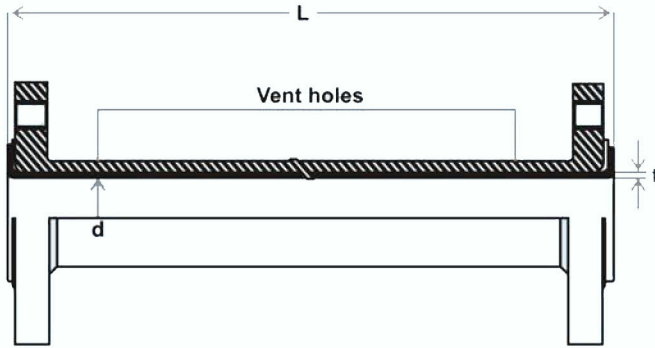


PTFE Lined Pipe Systems

PTFE LINED SPOOL



NOTE:

1. FIXED / LOOSE FLANGES ON ONE / BOTH SIDES CAN BE SUPPLIED ON REQUEST.
2. OTHER SPECIFICATIONS / DIMENSIONS / VACUUM SERVICE AVAILABLE ON REQUEST.
3. LENGTHS FROM PIPE SIZE 1/2" (15 NB) UP TO 8" (200 NB) -- 6 mtrs
4. LENGTHS FROM SIZE 8" (200 NB) TO 12" (300 NB) -- 3mtrs

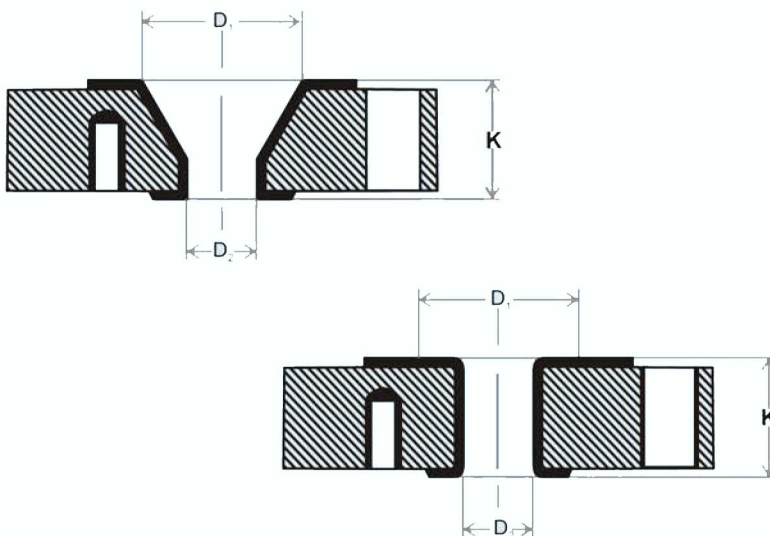
TOLERANCE UP TO 1 mtr LENGTH WILL BE + 0.00mm / -3.5mm
AND BEYOND 1 mtr WILL BE +0.00mm / -5.0mm

SPECIFICATIONS:

PIPE: ANSI B36.10, ASTM A 106 Gr.B SCH.40 UP TO 150 NB SCH.30 FOR 200 NB AND 250 NB
LINER: ASTM D 4895, PTFE ASTM D1457
TOLERANCES: LINING & OTHER DIMENSIONAL TOLERANCES AS PER ASTM F 1545-2003 / ASTM D 1457

| NB | | Internal Dia(d) | Liner Thickness(t) | PCD | Flange Hole Dia | Flared Dia |
|------|----------|-----------------|--------------------|--------|-----------------|------------|
| (mm) | (inches) | (±1mm) | (mm) | (mm) | (mm) | (mm) |
| 25 | 1" | 19.50 | 3.05 | 79.40 | 15.90 | 50.80 |
| 40 | 1.5" | 33.80 | 3.30 | 98.40 | 15.90 | 73.00 |
| 50 | 2" | 45.40 | 3.30 | 120.70 | 19.00 | 92.10 |
| 80 | 3" | 70.80 | 3.30 | 152.40 | 19.00 | 127.00 |
| 100 | 4" | 95.20 | 3.80 | 190.50 | 19.00 | 157.20 |
| 150 | 6" | 145.10 | 4.50 | 241.30 | 22.20 | 215.90 |
| 200 | 8" | 197.40 | 5.00 | 298.50 | 22.20 | 269.90 |
| 250 | 10" | 249.30 | 6.00 | 362.00 | 25.40 | 323.90 |
| 300 | 12" | 300.10 | 6.00 | 431.80 | 25.40 | 381.00 |

PTFE LINED REDUCING FLANGES



| D ₁ | D ₂ | K |
|----------------|----------------|------|
| (mm) | (mm) | (mm) |
| 40 | 25 | 35 |
| 50 | 25 | 35 |
| 50 | 40 | 35 |
| 80 | 25 | 35 |
| 80 | 40 | 35 |
| 80 | 50 | 35 |
| 100 | 50 | 45 |
| 100 | 80 | 45 |
| 150 | 80 | 45 |
| 150 | 100 | 45 |