



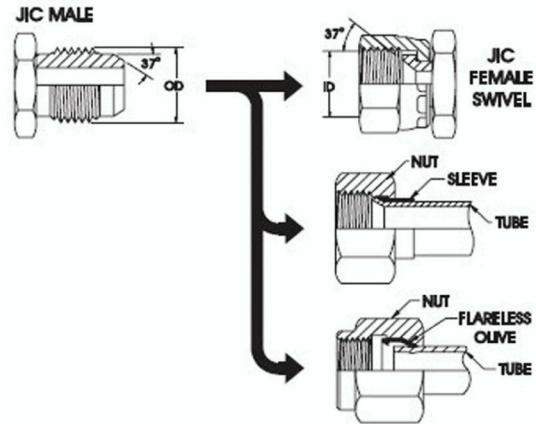
# THREAD SPECIFICATION

## JIC 37° FLARE & UNO

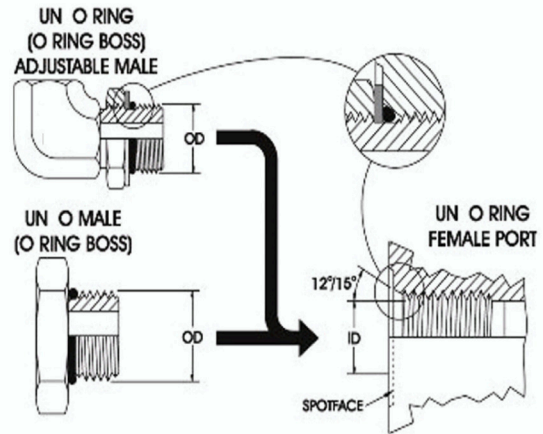
JIC male has 37° flare which seals against 37° seat in female.

JIC male can also seal against 37° flared tubing with JIC nut and sleeve.

JIC male can also be used with J-Lok Female Nut and Flareless Olive on Imperial OD tubing.



UNO (O Ring Boss) seals with ORing compressed between hex boss of UN male and 12°/15° tapered bore of UN (O Ring Boss) female port. For elbows and tees, Backup Washer and Lock Nut allow orientation of fitting to required direction.



MALE THREAD OD & PITCH	DASH SIZE	MALE THREAD OD		FEMALE THREAD ID		TUBE SIZE
		MM	INCH	MM	INCH	
INCH - TPI						INCH
5/16 - 24 UNF	-05	7,9	0.31	6,9	0.27	1/8
3/8 - 24 UNF	-06	9,5	0.38	8,5	0.33	3/16
7/16 - 20 UNF	-07	11,1	0.44	9,9	0.39	1/4
1/2 - 20 UNF	-08	12,7	0.50	11,4	0.45	5/16
9/16 - 18 UNF	-09	14,3	0.56	13,0	0.51	3/8
3/4 - 16 UNF	-12	19,1	0.75	17,5	0.69	1/2
7/8 - 14 UNF	-14	22,2	0.88	20,3	0.80	5/8
1.1/16 - 12 UN	-17	27,0	1.06	24,9	0.98	3/4
1.3/16 - 12 UN	-19	30,2	1.19	28,2	1.11	7/8
1.5/16 - 12 UN	-21	33,3	1.31	31,2	1.23	1/
1.5/8 - 12 UN	-26	41,3	1.63	39,1	1.54	1 ¼
1.7/8 - 12 UN	-30	47,6	1.88	45,5	1.79	1 ½
2 ½ - 12 UN	-40	63,5	2.50	61,5	2.42	2